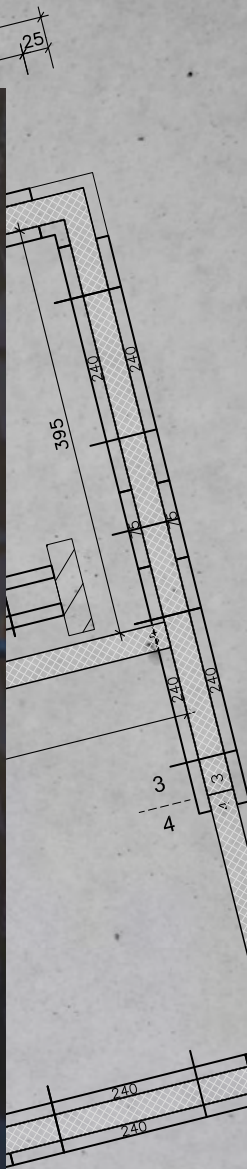
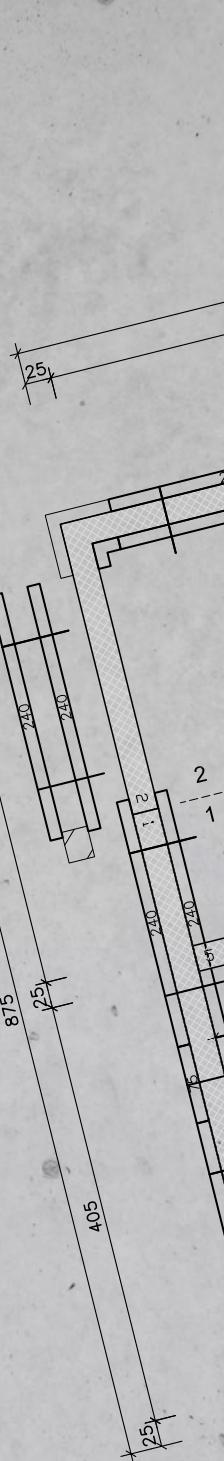


LOGO.pro

PRODUCT INFORMATION



LOGO.pro

Optimised working with one-sided anchor technology

LOGO.pro's one-sided anchor technology means that the tie points can be operated by just one person. This not only makes optimised working with low manpower requirements possible, but also facilitates working in confined spaces.



One-sided anchor technology makes the formwork anchors easy to operate by just one person.

Innovative addition to the LOGO range

This new wall formwork consists of a profiled, high-strength flat steel frame and it provides the same robustness and reliability as the familiar LOGO.3 wall formwork.

As usual with PASCHAL, LOGO.pro features intelligent element sorting and a clear pattern of joints and anchors, making concrete surfaces visually appealing.



LOGO.pro is ideally suited for all floor plans.

An overview of the benefits



Optimised working

The anchor points can be easily operated by just one person, even in confined spaces.



Flexible anchors

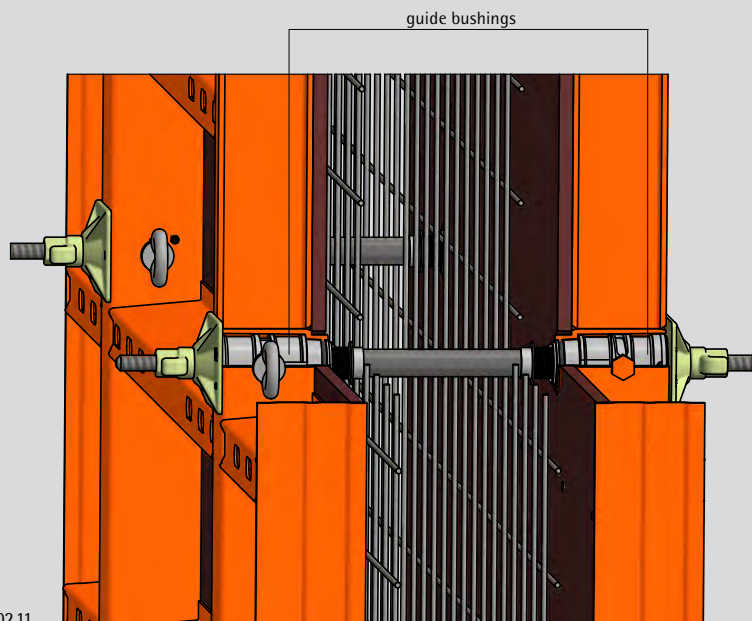
Depending on requirements, the system can be anchored either on one side or conventionally (from both sides).



Cost-effective formwork

Thanks to standard tension material (DW15 and DW20) and compatibility with LOGO.3 and LOGO.alu.

Conventional anchoring



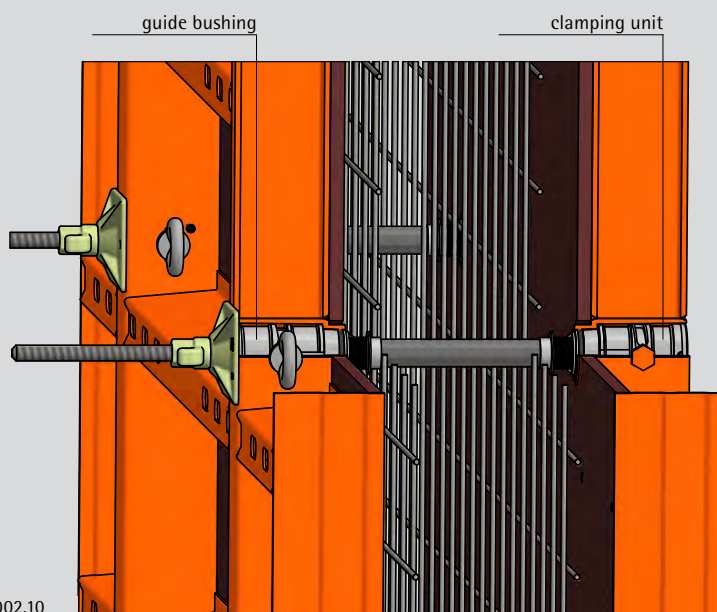
T12.002.11

Delivery condition with guide bushings in all panels:

The tie rod (DW15 or DW20) with tube and plate with ball and-socket-joint on both sides can be used immediately in the conventional way.

- LOGO.pro can be used variably with regard to anchor technology.
- Anchoring is done conventionally with guide bushings on both sides of the formwork.
- Standard material can be used for both anchor variants, no cost-intensive, conical anchors..

One-sided anchoring



T12.002.10

Conversion of the outer formwork with clamping unit:

The tie rod with tube, guide bushing and plate with ball and socket joint can be turned in completely one-sided from the inner formwork.

- With the clamping unit in the outer formwork, the tie point can be operated from one side.
- It is not necessary to change the tie rods for different wall thicknesses.
- The tie rods are easy to install and to remove.
- The maximum fresh concrete pressure is 70 kN/m². The tolerances of deflection of DIN 18202, table 3, line 6 are observed.
- Depending on the existing fresh concrete pressure, DW15 or DW20 tie rods can be used.
- Formwork offsets are possible due to the rotatable support of the locking nut in the clamping unit.
- All LOGO.3 accessories are compatible.
- The one-sided operation creates a saving of time and thus also of costs due to lower staff requirements.

Parts list (Elements)

| | | | |
|----------------------------------|---|--|---|
| Art.-No. Weight | Large-size panel 240 x 340 cm 179.501.2400 453.20 kg | Panel 135 x 340 cm 179.501.1350 274.60 kg | Panel 90 x 340 cm 179.501.0900 176.20 kg |
| | | | |


| | | | | | | |
|----------------------------------|---|--|---|--|--|--|
| Art.-No. Weight | Panel 75 x 340 cm 179.501.0750 151.00 kg | Panel 60 x 340 cm 179.501.0600 96.50 kg | Panel 45 x 340 cm 179.501.0450 124.50 kg | Panel 30 x 340 cm 179.501.0300 84.60 kg | Outside corner post 50 x 50 x 340 cm 179.506.0500 205.40 kg | Inside corner post 25 x 25 x 340 cm 179.505.0250 80.60 kg |
| | | | | | | |

Part list (Elements)

| | | | |
|----------------------------------|---|--|---|
| Art.-No. Weight | Large-size panel 240 x 270 cm 176.501.2400 364.00 kg | Panel 135 x 270 cm 176.501.1350 211.00 kg | Panel 90 x 270 cm 176.501.0900 141.00 kg |
| | | | |

| | | | | | | |
|----------------------------------|---|--|--|--|--|--|
| Art.-No. Weight | Panel 75 x 270 cm 176.501.0750 130.00 kg | Panel 60 x 270 cm 176.501.0600 96.50 kg | Panel 45 x 270 cm 176.501.0450 80.50 kg | Panel 30 x 270 cm 176.501.0300 66.00 kg | Outside corner post 50 x 50 x 270 cm 176.506.0500 166.00 kg | Inside corner post 25 x 25 x 270 cm 176.505.0250 63.00 kg |
| | | | | | | |

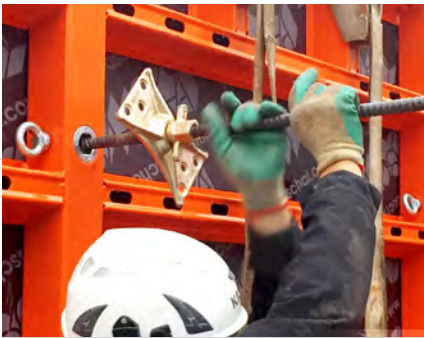
Part list (Accessories)

| | Art.-No. | Description | Weight [kg] |
|---|--------------|--|-------------|
|  | 187.500.0170 | PRO guide bushing mount. (hole for DW15 / DW20) | 1.63 |
|  | 187.500.0171 | PRO clamping unit DW20 mount. | 1.75 |
|  | 187.500.0172 | PRO clamping unit DW15 mount. | 1.89 |
|  | 187.500.0173 | PRO assembly tool | 1.10 |
|  | 940.014.0165 | Tie rod key DW15 | 1.00 |
|  | 940.014.0171 | Tie rod key DW20 | 1.42 |

Application



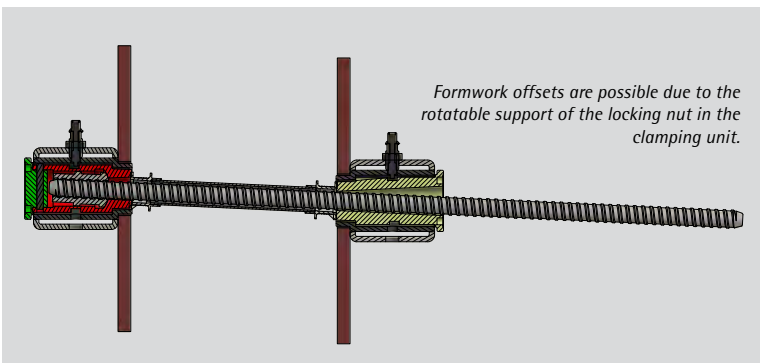
For single-sided anchoring, the tie rod together with the tube, the guide bushing and plate with ball-and-socket joint are turned into the clamping unit of the outer formwork.



Unscrew the tie rod with the plate with ball-and-socket joint during dismantling.



Perfect concrete surface



Formwork offsets are possible due to the rotatable support of the locking nut in the clamping unit.



Have you already seen it?
 We present both anchoring systems for the new LOGO.pro formwork system in our new application video. Changing between these systems is a very simple operation.

One-sided anchoring with PASCHAL - it's that easy

Simple operation thanks to interchange technology



Guide bushing

PASCHAL has developed a new wall formwork that can be easily converted from two-sided to one-sided anchoring thanks to a smart changing system. No further special parts are required.

With the new LOGO.pro wall formwork, the medium-sized formwork manufacturer PASCHAL is completing its formwork range at the top end. The technical data correspond as far as possible to LOGO.3 - with one decisive difference: Depending on requirements, LOGO.pro can be anchored not only from both sides but also one-sided. The one-sided anchor technology used in LOGO.pro thus allows to operate the tie points by only one person - this allows optimised working with less manpower requirements or even where space is limited.

Smart changing system

The core elements of the new LOGO.pro are exchangeable steel bushings. The guide bushings inserted in the formwork are provided with a conical opening with a suitable diameter for DW15 or DW20 tie rods to be anchored from both sides in the classic way.

For single-sided anchoring, the guide bushings on the outer formwork are replaced by clamping units. To do this, unlock the guide bushing with the assembly tool, unlock it by turning 90° on the ring bolt located next to the guide bushing, and pull it out.

Then the clamping unit with the integrated DW thread is inserted, secured and locked - finished. The inner and outer formwork can then be fitted as usual. Tie rod and tube are fed by the inner side and locked by the guide bushing.

(see image sequence on pages 10 and 11)



Clamping unit

No special parts required

Unlike other manufacturers, PASCHAL does not rely on conical tie rods and complicated fitting methods. Instead, LOGO.pro uses conventional DYWIDAG tie rods. Accordingly, the PVC-tubes or fibreconcrete tubes can be freely selected as cladding tubes up to 50 mm diameter. Compared to one-sided anchored formwork systems using conical anchors, the use of cost-effective standard components not only leads to simpler and thus faster work sequences, but also avoids potential problems that can arise in terms of material storage or loss of special parts. Thus LOGO.pro offers an advantage through simplicity and cost efficiency. It provides an economical alternative to the systems already available on the market.



Guide bushing and clamping unit

Compatibility with existing systems

The new LOGO.pro is convincing thanks to its universal compatibility with the PASCHAL formwork systems LOGO.3 and LOGO.alu. All three systems are using the same connecting and accessory parts. The new wall formwork consists of a profiled flat steel frame made of high-strength steel, and offers the same robustness and reliability as the already familiar LOGO.3 wall formwork. The admissible fresh concrete pressure is 70 kN/m².



Installation height of just 12 cm, with the LOGO locking screw as a connecting piece

Perfectly suitable for all floor plans

As usual with Paschal, the LOGO.pro formwork system, which can be operated from one side, also features a well-designed panel sorting system. The new formwork will initially be produced in the heights 270 cm and 340 cm and the widths 240, 135, 90, 75, 60, 45, 30 cm. The system is completed with a rigid outside corner post 50x50 cm and the inside corner post 25x25 cm. The tie points are positioned centrally on all compensation panels in order to achieve an orderly joint and anchor pattern with visually attractive concrete surfaces.

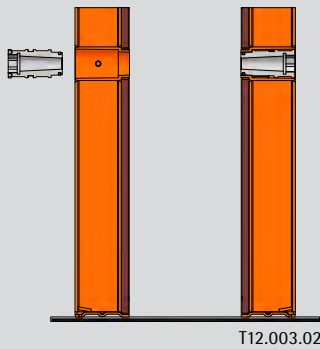


Perfect concrete surface

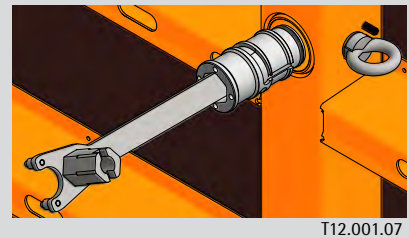
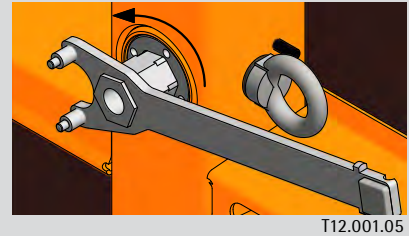
Conversion to one-sided handling

For one-sided operation of the formwork anchors, the guide bushings in the outer formwork can be replaced by clamping units in just a few steps.

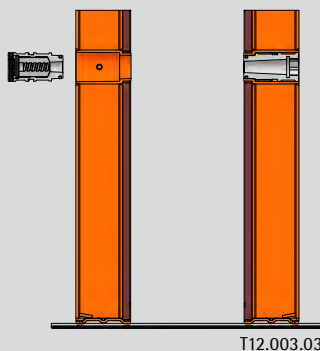
1. Remove the guide bushing (outer formwork)



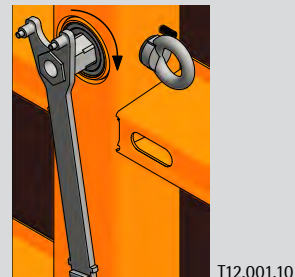
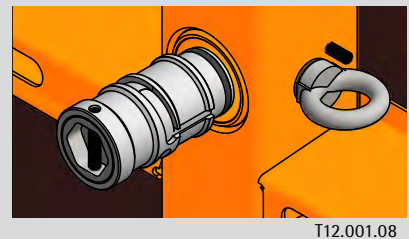
- Turn the guide bushing by 80° with the assembly tool
- Turn the ring bolt by 90°



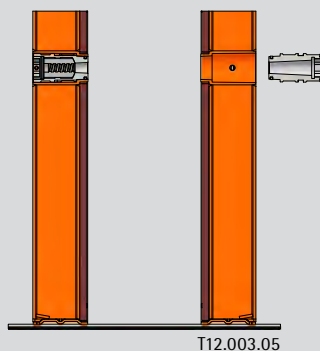
2. Mount the clamping unit



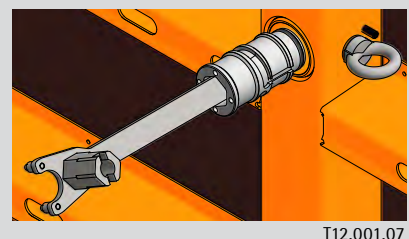
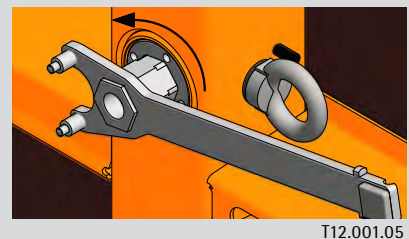
- Insert the clamping unit
- Turn the ring bolt by 90°
- Turn the clamping unit by 80° with the assembly tool



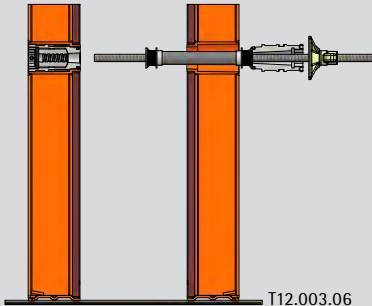
3. Remove the guide bushing (inner formwork)



- Turn the guide bushing by 80° with the assembly tool
- Turn the ring bolt by 90°



4. Feed the tie rod

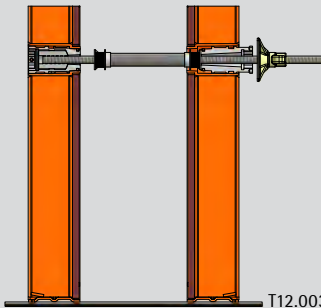


T12.003.06

- Feed the tie rod, tube, guide bushing and plate with ball-and-socket joint through the inner formwork

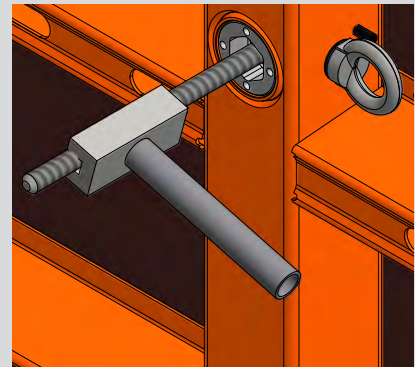


5. Turn the tie rod



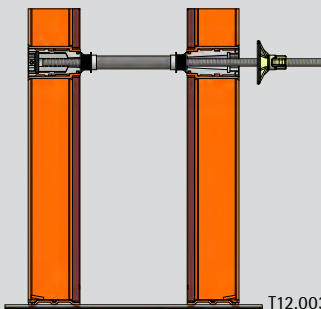
T12.003.07

- Turn the tie rod by hand or with the tie rod spanner 6 cm deep into the clamping unit of the outer formwork



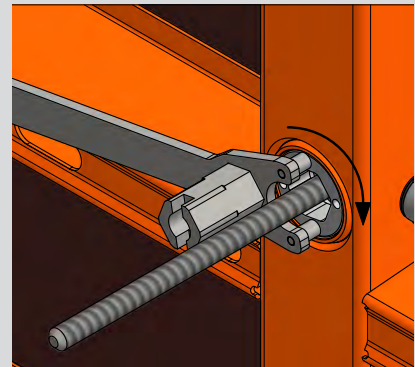
T12.002.13

6. Lock the guide bushing in the panel of the inner formwork



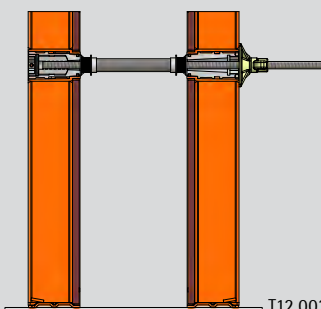
T12.003.08

- Turn the ring bolt by 90°
- Turn the guide bushing by 80° with the assembly tool



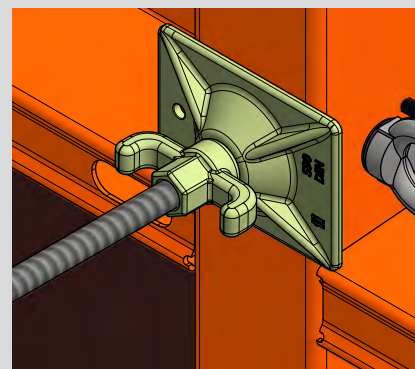
T12.002.06

7. Tighten the plate with ball-and-socket joint



T12.003.09

- Tighten firmly the plate with ball-and-socket joint



T12.002.07

