

# Suspending piece for pros with spring lock

Product Information



Service in Formwork + Shoring

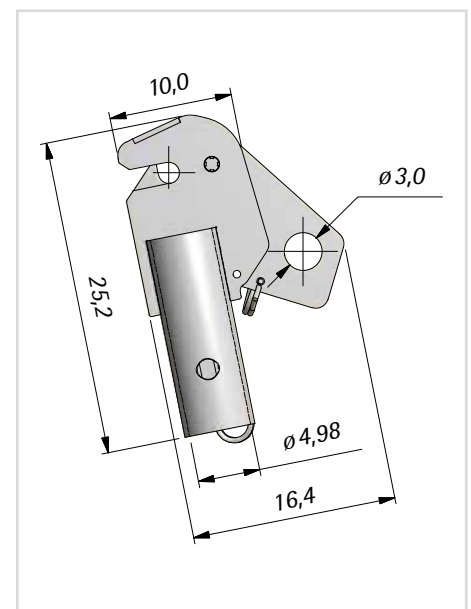
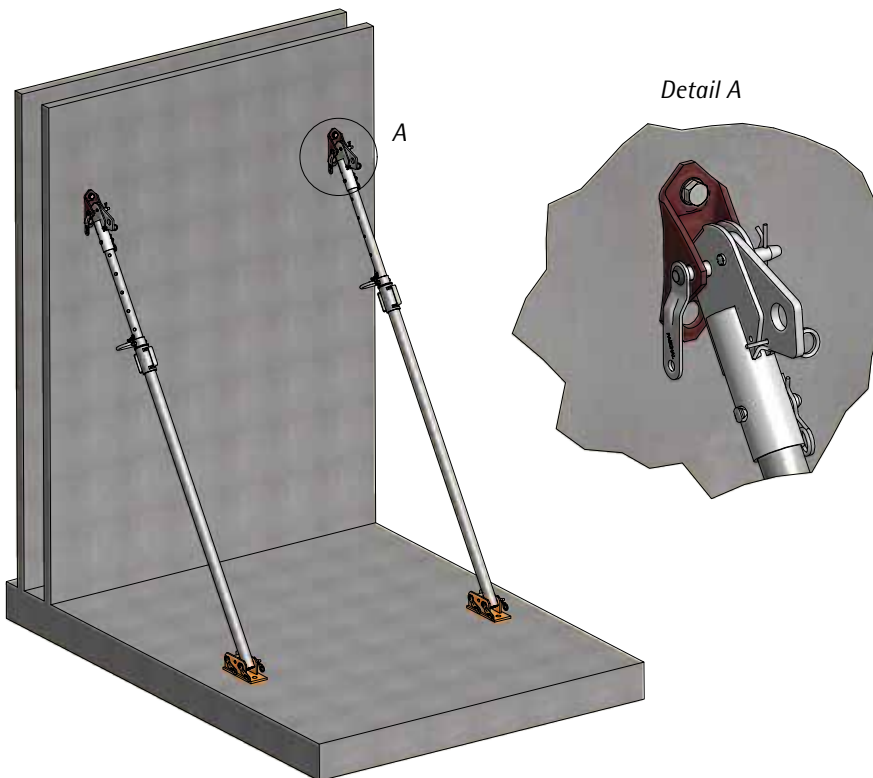
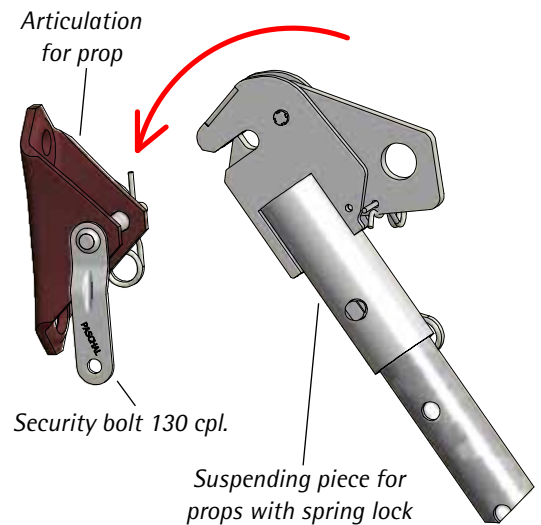
# Suspending piece for pros with spring lock

for a fast and safe assembly

for bracing of precast parts as precast wall panels or reinforced concrete columns

## Installation sequence

- Fix suspending piece with spring lock on adjustable prop.
- Bolt articulation plate for props to precast part.
- Fix security bolt 130 cpl. at articulation plate for props.
- Erect precast part.
- Lock the adjustable prop on top with the suspending piece in the articulation plate (security bolt 130 cpl.)
- If necessary secure the hinged part of the suspending piece for props with a retaining pin.
- To unhinge the adjustable prop fit a hook in the 3.0 cm hole and push.



[www.paschal.de](http://www.paschal.de)

PASCHAL-Werk G. Maier GmbH · Kreuzbühlstraße 5 · 77790 Steinach · Germany  
Phone: +49(0)7832/71-0 · Fax: +49(0)7832/71-209 · [service@paschal.de](mailto:service@paschal.de) · [www.paschal.de](http://www.paschal.de)

**PASCHAL**  
Service in Formwork + Shoring